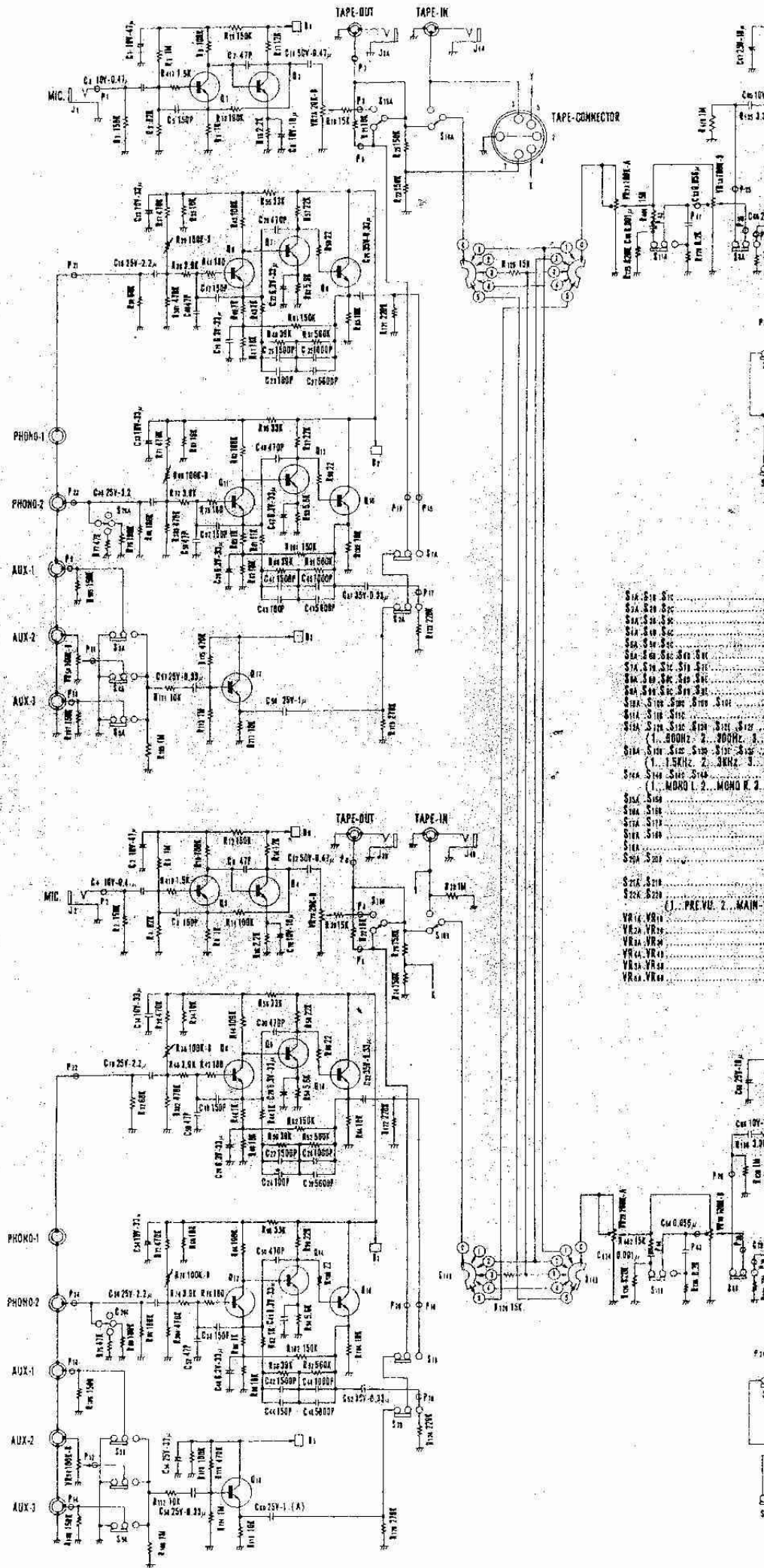
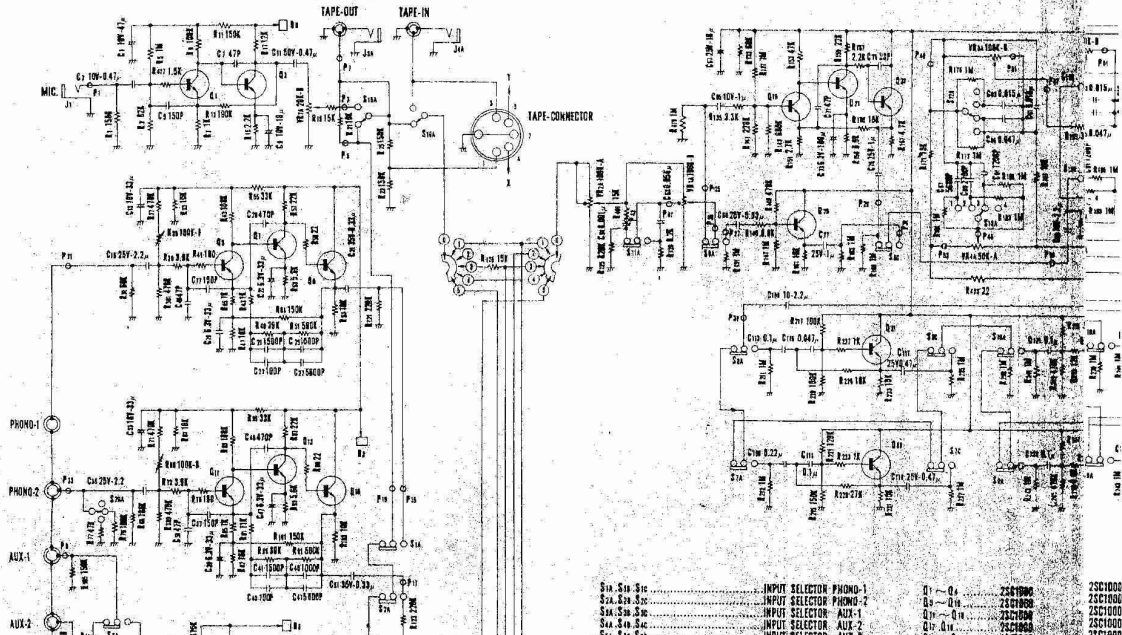


CIRCUIT DIAGRAM

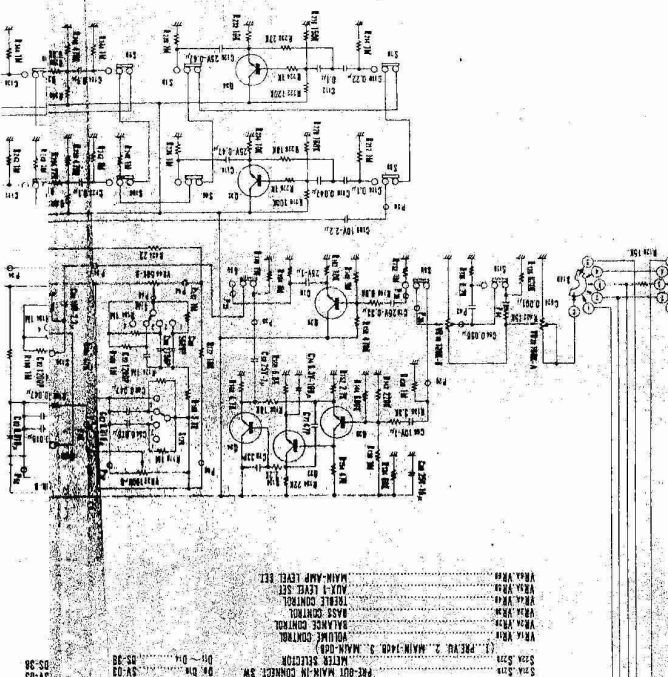
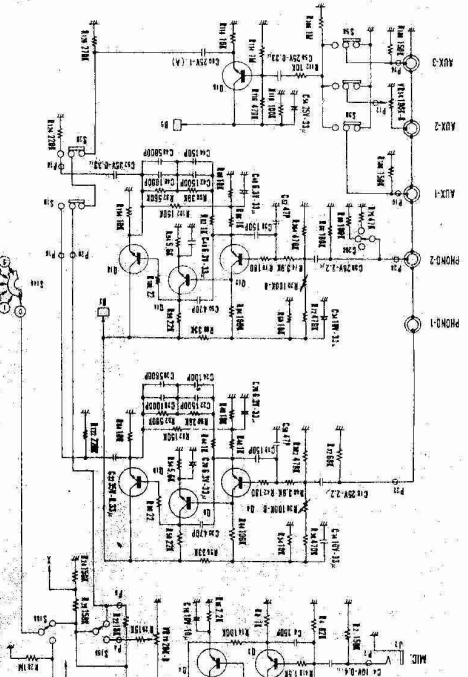


- S1A, S1B, S1C
 S2A, S2B, S2C
 S3A, S3B, S3C
 S4A, S4B, S4C
 S5A, S5B, S5C
 S6A, S6B, S6C
 S7A, S7B, S7C
 S8A, S8B, S8C
 S9A, S9B, S9C
 S10A, S10B, S10C
 S11A, S11B, S11C
 S12A, S12B, S12C
 S13A, S13B, S13C
 S14A, S14B, S14C
 S15A, S15B, S15C
 S16A, S16B, S16C
 S17A, S17B, S17C
 S18A, S18B, S18C
 S19A, S19B, S19C
 S20A, S20B, S20C
 S21A, S21B, S21C
 S22A, S22B, S22C
 S23A, S23B, S23C
 S24A, S24B, S24C
 S25A, S25B, S25C
 S26A, S26B, S26C
 S27A, S27B, S27C
 S28A, S28B, S28C
 S29A, S29B, S29C
 S30A, S30B, S30C
 S31A, S31B, S31C
 S32A, S32B, S32C
 S33A, S33B, S33C
 S34A, S34B, S34C
 S35A, S35B, S35C
 S36A, S36B, S36C
 S37A, S37B, S37C
 S38A, S38B, S38C
 S39A, S39B, S39C
 S40A, S40B, S40C
 S41A, S41B, S41C
 S42A, S42B, S42C
 S43A, S43B, S43C
 S44A, S44B, S44C
 S45A, S45B, S45C
 S46A, S46B, S46C
 S47A, S47B, S47C
 S48A, S48B, S48C
 S49A, S49B, S49C
 S50A, S50B, S50C
 S51A, S51B, S51C
 S52A, S52B, S52C
 S53A, S53B, S53C
 S54A, S54B, S54C
 S55A, S55B, S55C
 S56A, S56B, S56C
 S57A, S57B, S57C
 S58A, S58B, S58C
 S59A, S59B, S59C
 S60A, S60B, S60C
 S61A, S61B, S61C
 S62A, S62B, S62C
 S63A, S63B, S63C
 S64A, S64B, S64C
 S65A, S65B, S65C
 S66A, S66B, S66C
 S67A, S67B, S67C
 S68A, S68B, S68C
 S69A, S69B, S69C
 S70A, S70B, S70C
 S71A, S71B, S71C
 S72A, S72B, S72C
 S73A, S73B, S73C
 S74A, S74B, S74C
 S75A, S75B, S75C
 S76A, S76B, S76C
 S77A, S77B, S77C
 S78A, S78B, S78C
 S79A, S79B, S79C
 S80A, S80B, S80C
 S81A, S81B, S81C
 S82A, S82B, S82C
 S83A, S83B, S83C
 S84A, S84B, S84C
 S85A, S85B, S85C
 S86A, S86B, S86C
 S87A, S87B, S87C
 S88A, S88B, S88C
 S89A, S89B, S89C
 S90A, S90B, S90C
 S91A, S91B, S91C
 S92A, S92B, S92C
 S93A, S93B, S93C
 S94A, S94B, S94C
 S95A, S95B, S95C
 S96A, S96B, S96C
 S97A, S97B, S97C
 S98A, S98B, S98C
 S99A, S99B, S99C
 S100A, S100B, S100C
- (1) PREV. 2...MAIN-1
 VR1A, VR1B
 VR2A, VR2B
 VR3A, VR3B
 VR4A, VR4B
 VR5A, VR5B
 VR6A, VR6B

CIRCUIT DIAGRAM



S1a, S1b, S1c	INPUT SELECTOR PHONO-1	Q1 - Q4	2501000
S2a, S2b, S2c	INPUT SELECTOR PHONO-2	Q5 - Q8	2501000
S3a, S3b, S3c	INPUT SELECTOR AUX-1	Q9 - Q12	2501000
S4a, S4b, S4c	INPUT SELECTOR AUX-2	Q13 - Q16	2501000
S5a, S5b, S5c	INPUT SELECTOR TAPE	Q17 - Q20	2501000



- VOLUME CONTROL
- BALANCE CONTROL
- PASS CONTROL
- TUNING CONTROL
- AUX-1 LEVEL SET
- MAIN-AMP LEVEL SET

Sock. Sigsbee
 (1) 100K 2.50R 31.50R
 PRE-GUT MAIN-IN CONNECT SW
 METER SELECTOR
 Sock. Sigsbee
 (1) PREV. 2. MAIN-1400 3. MAIN-008
 VOLUME CONTROL
 BALANCE CONTROL
 PASS CONTROL
 TUNING CONTROL
 AUX-1 LEVEL SET
 MAIN-AMP LEVEL SET
 DS-38
 SV-03
 DS-38

